



Assembly instruction

**Duo BLE
2A/4A**

Thank you & welcome

Exma Säkerhetssystem AB would like to thank you for choosing us and welcome you as customer. You are now the owner of a locking system of the highest possible quality – made in Eskilstuna, Sweden.

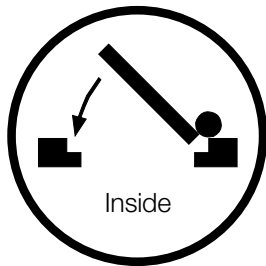
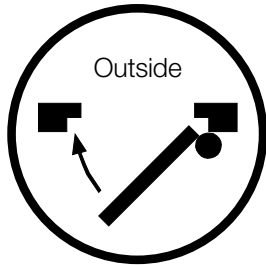
Contents

Assembly instructions, door	4
Inside (angle of the spindle in assemblies of 4A = ABLOY 4190 or LC 204)	4
Exploded view (mounting of 2A = DL 710)	5
Exploded view (mounting of 4A = ABLOY 4190)	5
Securing the Duo 4A (mounting with ABLOY 4190)	6
Factory reset	6
Batteries	7

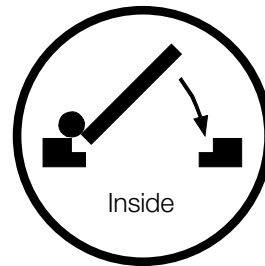
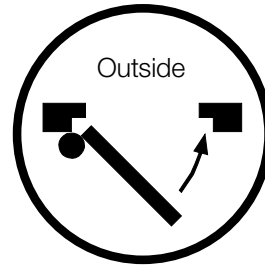


Assembly instructions, door

Left

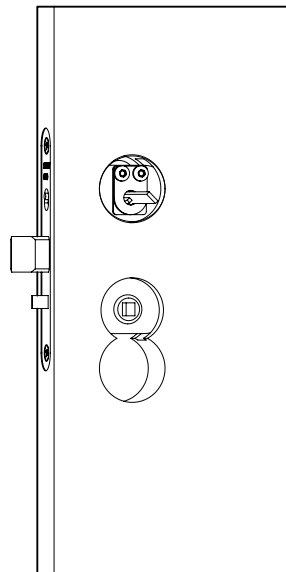
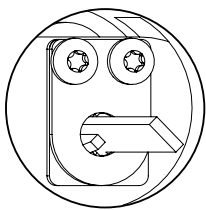


Right

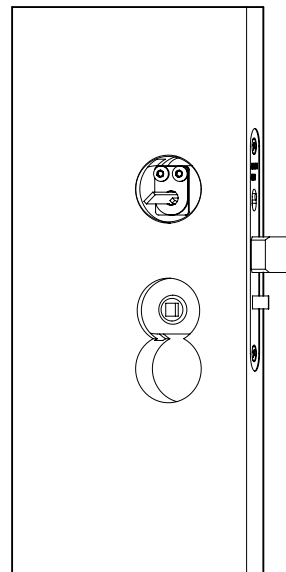
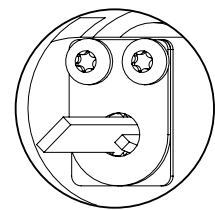


Inside (angle of the spindle in assemblies of 4A = ABLOY 4190 or LC 204)

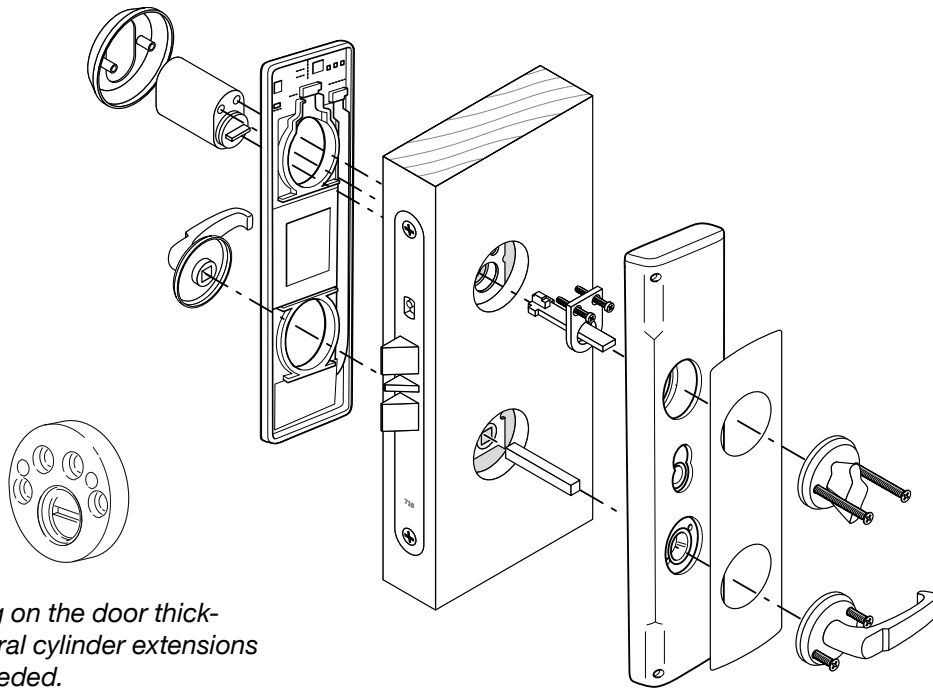
Left



Right

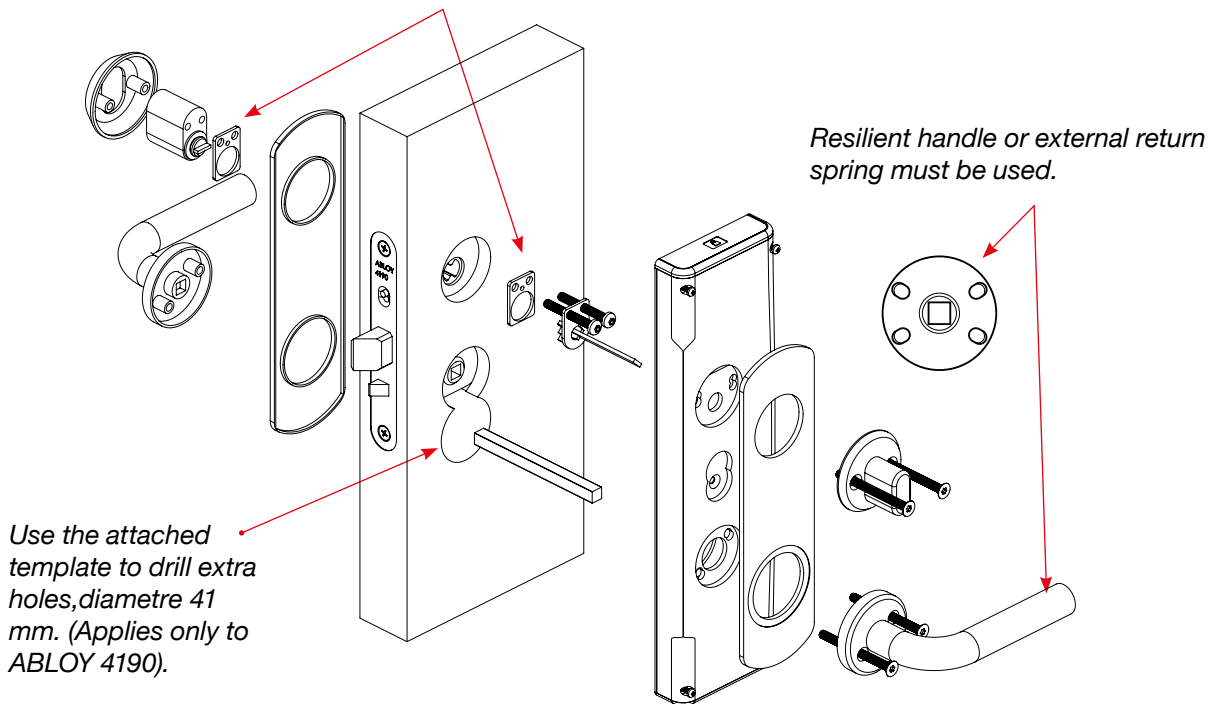


Exploded view (mounting of 2A = DL 710)

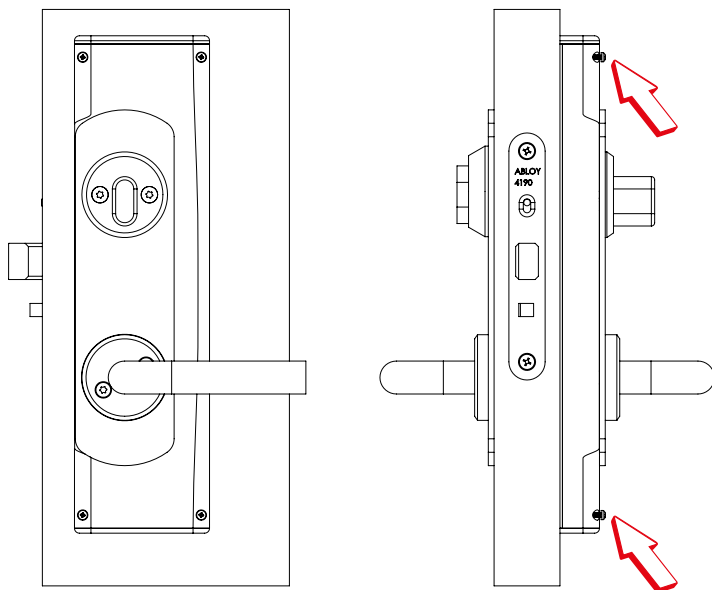


Exploded view (mounting of 4A = ABLOY 4190)

Shim for the Finnish market is not included.
Gäller endast ABLOY 4190 och LC 204.



Securing the Duo 4A (mounting with ABLOY 4190)



After installation, two of the short screws shall be replaced with the longer ones, which are screwed into the door and fixing the Duo unit.

It is very important that the knob on the inside can easily spring back to the starting position after application.

(To keep everything in place during the exchange, replace one screw at a time.)

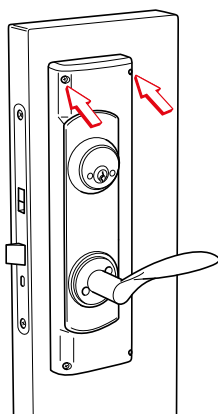
Short screw (to be removed)
Long screw (to replace the short, delivered separately in the box.)



Factory reset

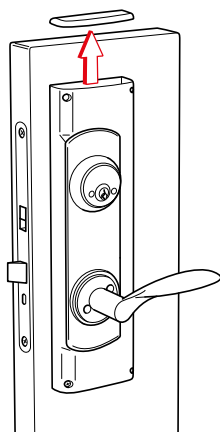
Step 1

Remove both screws holding the lock on the top of the unit (mounted on the inside of the door).



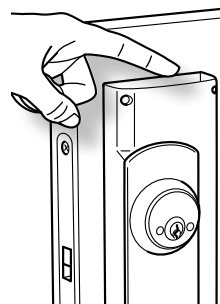
Step 2

Lift the lid.



Step 3

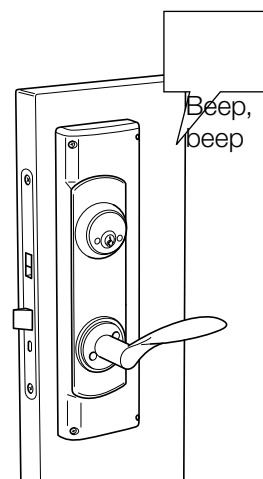
Press and hold the reset button on the PCB for 3 seconds.



Please note that the button is located on the rear of the PCB if the door is right hung.

Step 4

Two beeps confirm that the lock is reset to factory settings.



Batteries

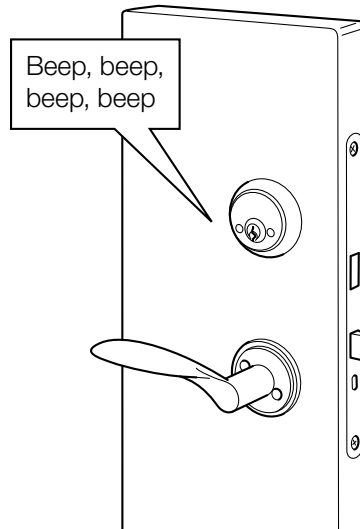
Battery usage

When battery levels are running low, the device sends out four beeps as a warning when you use it.

The batteries then have approx. 4,5 V left.

How much battery life that's left when the warning sounds depends on battery type and temperature.

We recommend changing batteries as soon as possible once the warning has been triggered.



Battery change

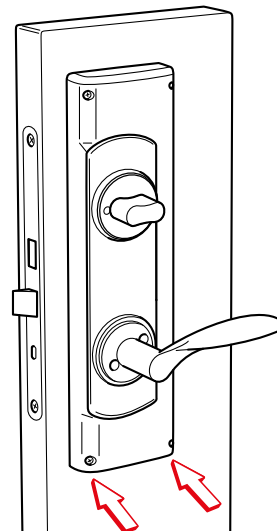
Loosen the two screws at the bottom of the internal device. Make sure that the battery cassette doesn't fall out and pulls the cable out.

Pull the battery cassette downwards.

Insert four new batteries, type LR6 AA 1,5V.

Slide the battery cassette back into the device and attach the screws.

Recycle the old batteries.





The company

Exma Säkerhetssystem AB was founded in Eskilstuna, Sweden, in 1986. Through the years, we have gradually developed into a central part of the development of safe locking systems for both domestic and professional use. In Sweden, Exma products are de facto standard for e.g. correctional establishments and other protected properties.

From the very beginning, we've specialized in expertise in mechanical/electronic locks and access control. Our competency quickly established us and we have long been in close cooperation with other prominent players in the market. We continuously move the positions for user-friendly locks of the highest quality, regarding both durability and safety.

