



# Assembly & Function

**Duo/Duo Code  
2A/4A**

A vertical decorative bar on the left side of the page, consisting of a blue section on top and a yellow section on the bottom.

The Swedish made locking system

# Thank you & welcome

Exma Säkerhetssystem AB would like to thank you for choosing us and welcome you as customer. You are now the owner of a locking system of the highest possible quality – made in Eskilstuna, Sweden.

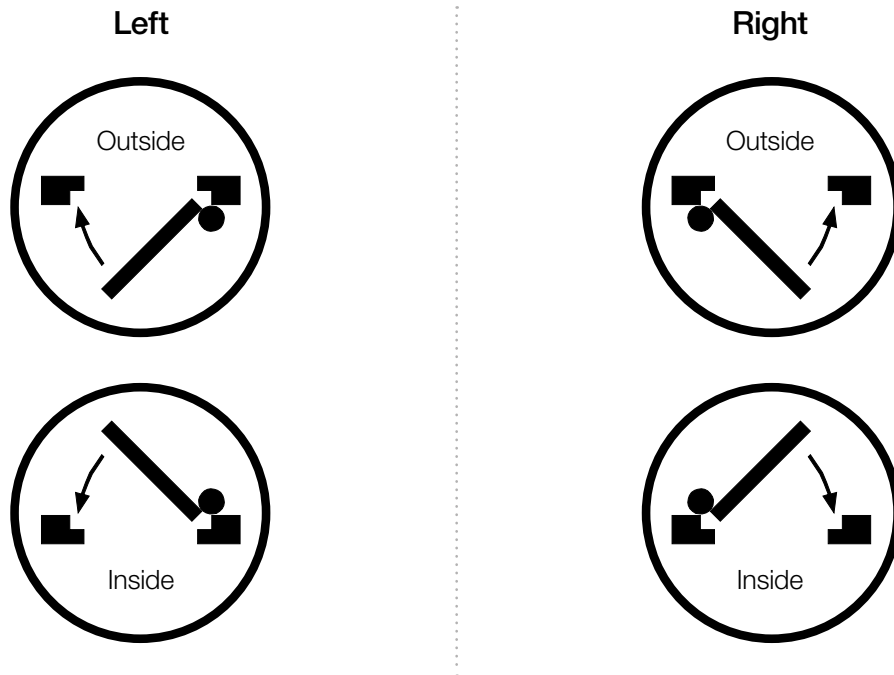
## Contents

---

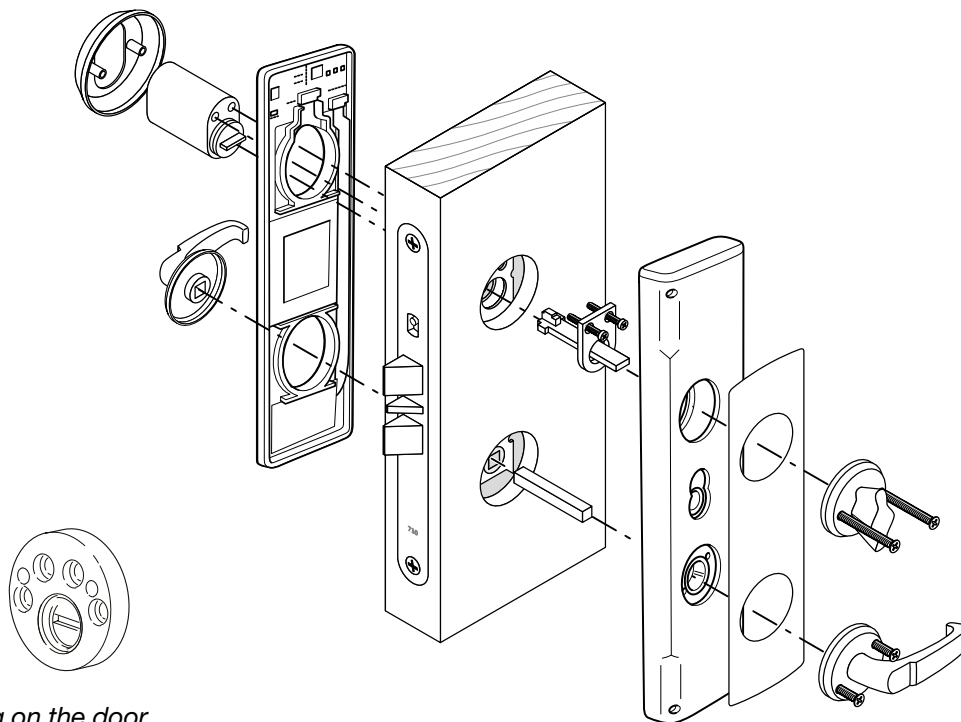
Assembly instructions, door .....	4
Exploded view .....	4
Inside .....	5
Cross section .....	5
Connecting the flex cable, outside.....	5
Daily use without PIN.....	6
Daily use with PIN.....	7
Batteries.....	7



# Assembly instructions, door

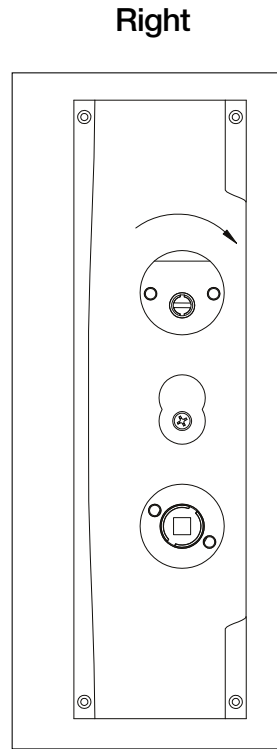
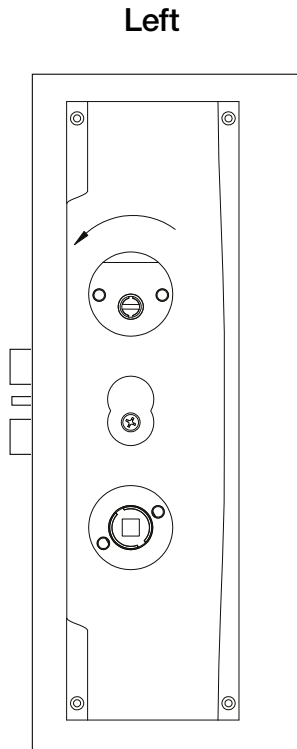


## Exploded view



*Depending on the door thickness, cylinder extenders may be required.*

## Inside

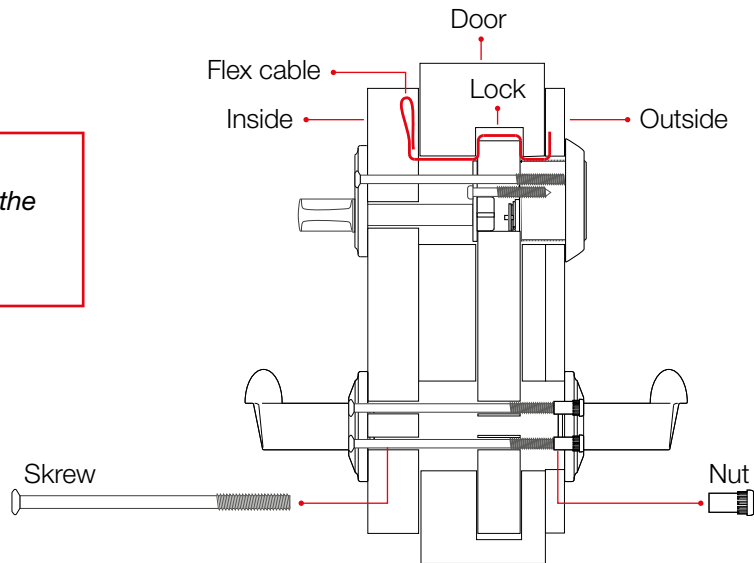


Direction of rotation and track orientation may vary, depending on the selected lock housing.

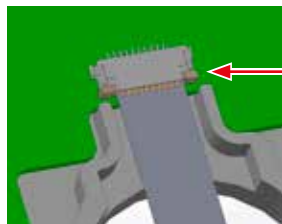
When assembling with short locks (e.g. Abloy 4190), we recommend replacing the short battery cover screws with the two additional ones provided. This is to prevent the Exma Duo/Duo code from rotating on the door.

## Cross section

**Important!** Once the flex cable is connected, press the remainder inside the door.



## Connecting the flex cable, outside



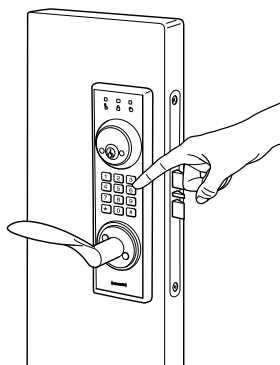
**Important!** When mounting the flex cable, the shiny contact surfaces should point upwards. It is important that the small locking piece in the connector is depressed as it prevents the cable from falling out during assembly.

# Daily use without PIN

Unlocking from the outside, does not apply to Duo Code

## Step 1

Put the lock in standby mode by pressing the keypad.



## Step 2

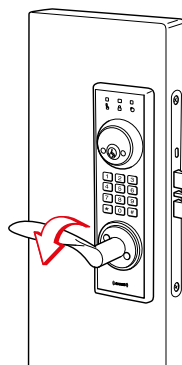
Hold the key tab/NFC phone in front of the keypad.

Green diode lights up.



## Step 3

Unlock by pressing down the door handle.



## Locking from the outside

Make sure both latch bolts are out.

Close the door.



## Locking from the inside

Make sure both latch bolts are out.

Close the door.



## Unlocking from the inside

Use the latch.



# Daily use with PIN

## Unlocking from the outside

### Step 1

Put the lock in standby mode by pressing the keypad.



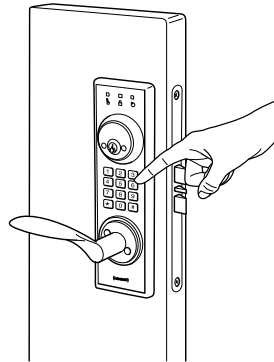
### Step 2 (not Duo Code)

Hold the key tab/NFC phone in front of the keypad.



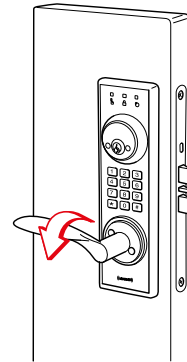
### Step 3

Enter PIN.  
Green diode lights up.



### Step 4

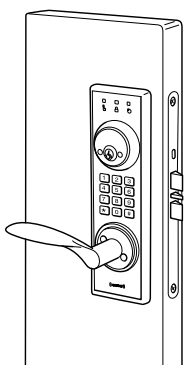
Unlock by pressing down the door handle.



## Locking from the outside

Make sure both latch bolts are out.

Close the door.



## Batteries

### Battery usage

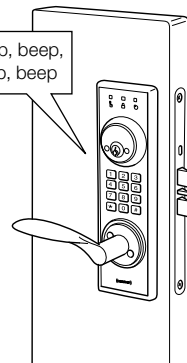
When battery levels are running low, the device sends out four beeps as a warning when you use it.

The batteries then have approx. 4,5 V left.

How much battery life that's left when the warning sounds depends on battery type and temperature.

We recommend changing batteries as soon as possible once the warning has been triggered.

Beep, beep,  
beep, beep



### Battery change

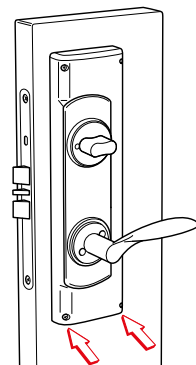
Loosen the two screws at the bottom of the internal device. Make sure that the battery cassette doesn't fall out and pulls the cable out.

Pull the battery cassette downwards.

Insert four new batteries, type LR6 AA 1,5V.

Slide the battery cassette back into the device and attach the screws.

Recycle the old batteries.





## The company

Exma Säkerhetssystem AB was founded in Eskilstuna, Sweden, in 1986. Through the years, we have gradually developed into a central part of the development of safe locking systems for both domestic and professional use. In Sweden, Exma products are de facto standard for e.g. correctional establishments and other protected properties.

From the very beginning, we've specialized in expertise in mechanical/electronic locks and access control. Our competency quickly established us and we have long been in close cooperation with other prominent players in the market. We continuously move the positions for user-friendly locks of the highest quality, regarding both durability and safety.

